

This page sets out common details for fitting factory assembled, in-plane, twin skin GRP rooflights to Steadmans AS35 roof panels. All the details here are available in CAD format from the Steadmans web site - click on the link at the bottom of the page to go to the downloads section.

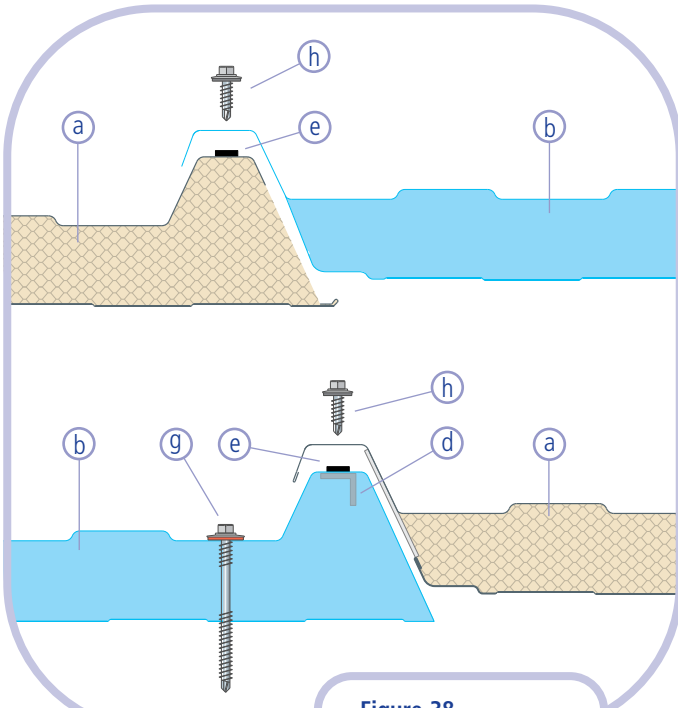


Figure 38
Rooflight side laps

- Key to figures 38 to 41**
- a** AS35 insulated roof panel
 - b** Factory assembled rooflight
 - c** Factory fitted polyethylene filler
 - d** Underlap strip
 - e** 6 x 5mm Butyl rubber sidelap seal
 - f** 6 x 5mm endlap sealant
 - g** Fastener (through valley positions only)
 - h** Stitching screw
 - i** Purlin and extension plate
 - j** Gun applied silicon sealant (ISO-11600-F-25LM) 15mm from bottom of lap

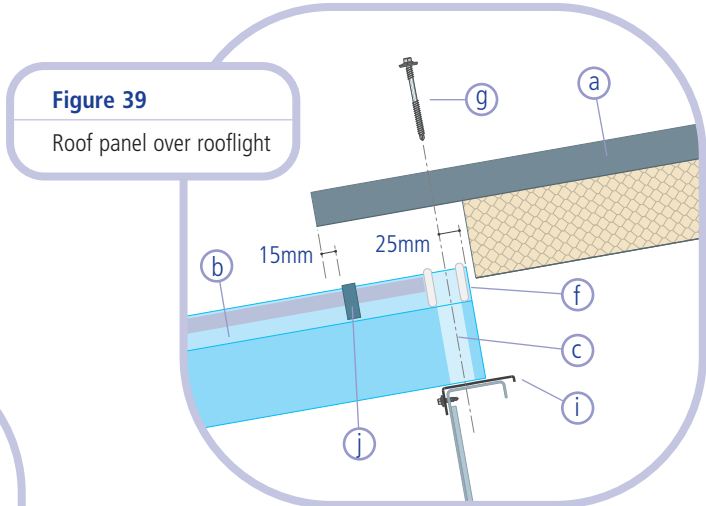


Figure 39
Roof panel over rooflight

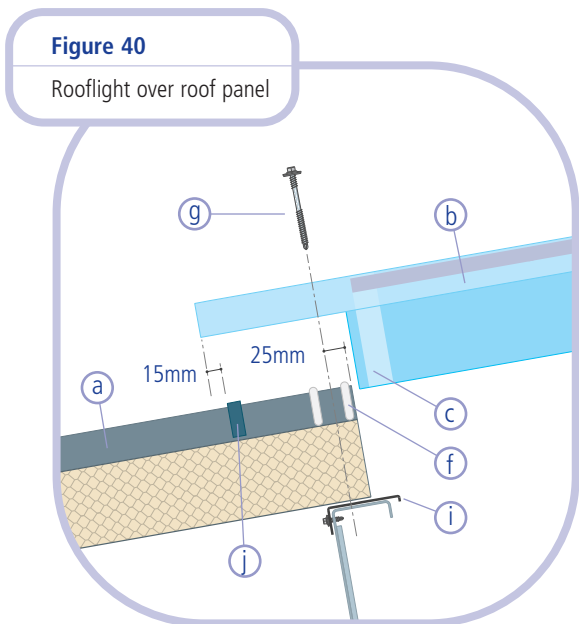


Figure 40
Rooflight over roof panel

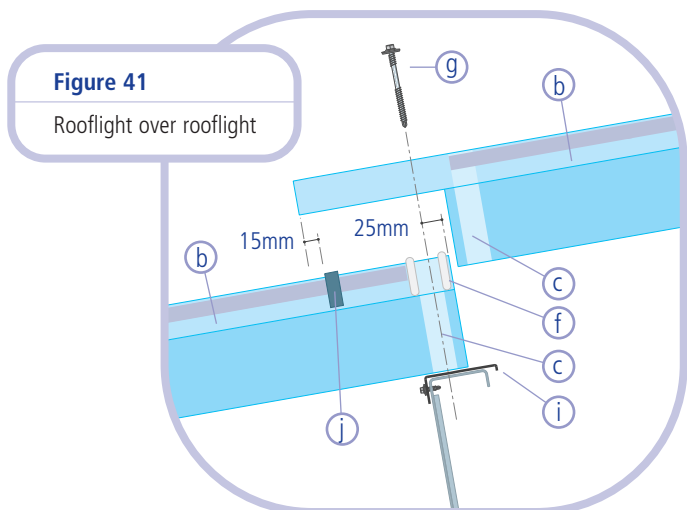


Figure 41
Rooflight over rooflight