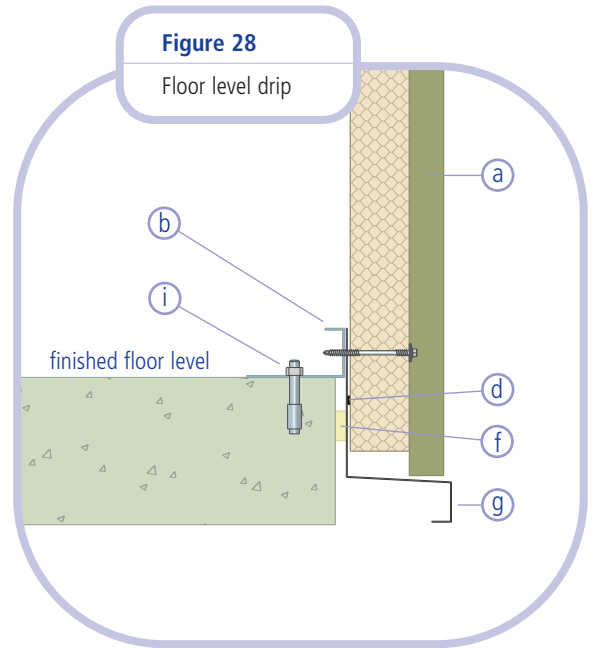


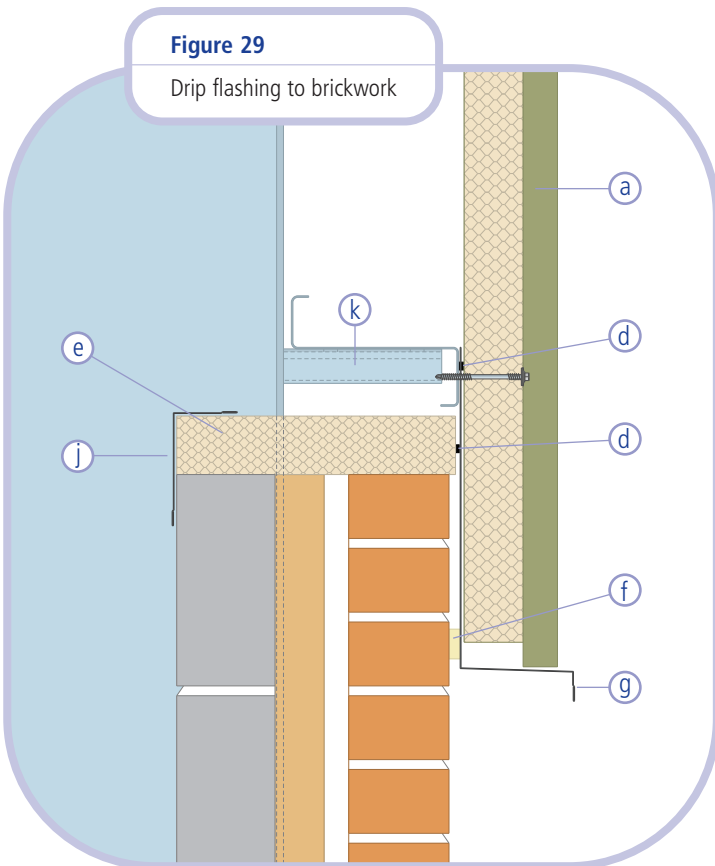
**Figure 27**  
End lap fixing

*This section sets out common details for Steadmans AS35 wall panels.*

*All the details here are available in CAD format from the Steadmans web site - click the link at the bottom of each page to go to the downloads section*



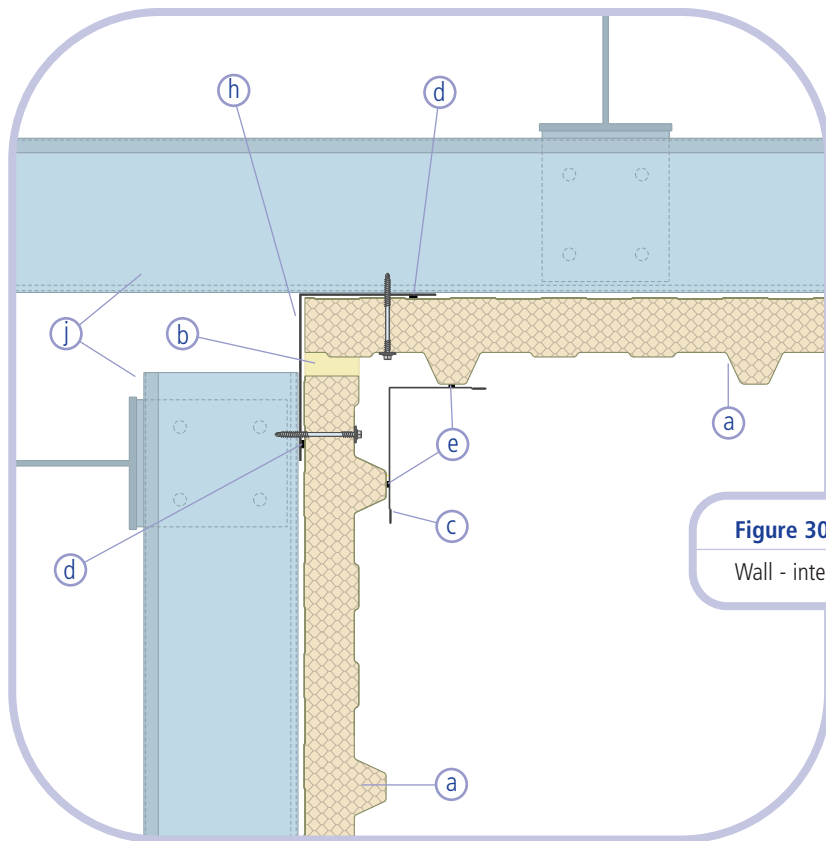
**Figure 28**  
Floor level drip



**Figure 29**  
Drip flashing to brickwork

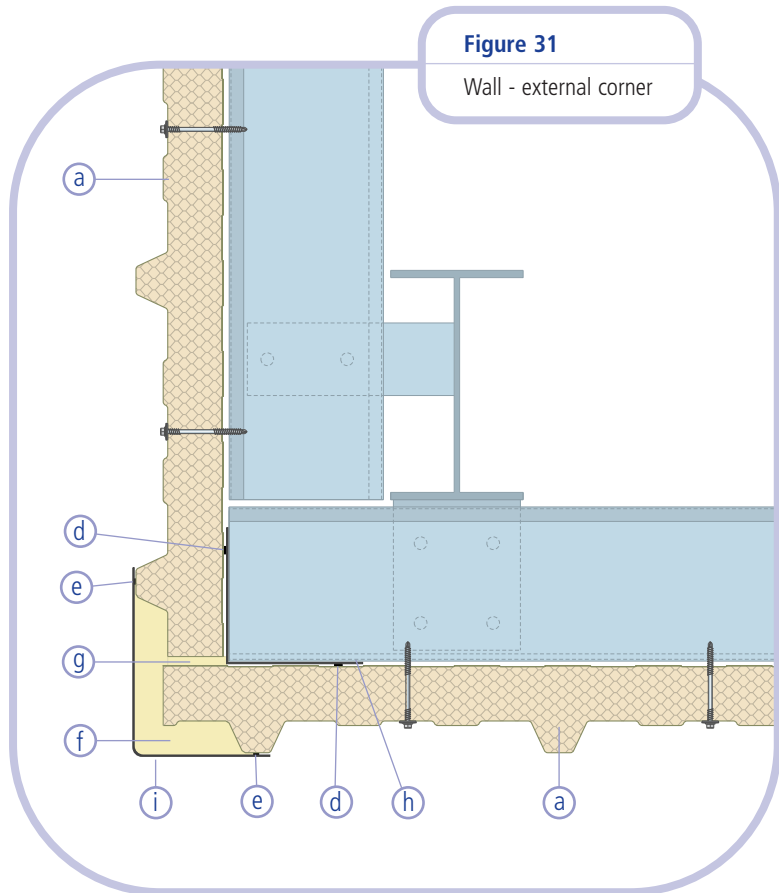
**Key to figures 27, 28 & 29**

- a** AS35 insulated wall panel
- b** Galvanised floor angle
- c** Seal - 6 x 5mm Butyl rubber
- d** Air seal - 8mm Butyl rubber
- e** PIR insulation board sealed with site applied fire rated canister insulation
- f** Expanding foam seal
- g** Drip flashing
- h** Folded floor cleader rail
- i** Expanding type fixing
- j** Flashing sealed with 6 x 5mm Butyl rubber seal
- k** Side rail

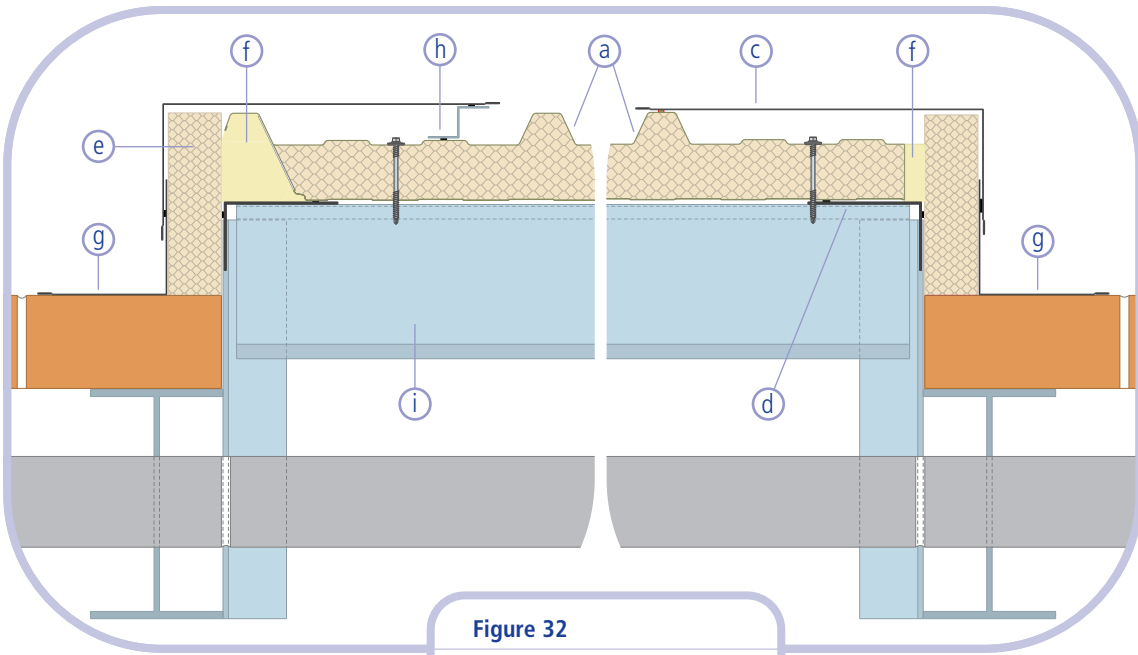


**Figure 30**  
Wall - internal corner

- Key to figures 30 & 31**
- a** AS35 insulated wall panel
  - b** Expanding foam seal
  - c** Internal corner flashing with min. 150mm sealed lap joints
  - d** Air seal - 8mm Butyl rubber
  - e** Seal - 6 x 5mm Butyl rubber
  - f** Profiled filler to close off top and bottom of external corner flashing
  - g** Site applied foam insulation
  - h** Internal liner flashing with min. 75mm sealed lap joints
  - i** External corner flashing with min. 150mm sealed lap joints
  - j** Side rail

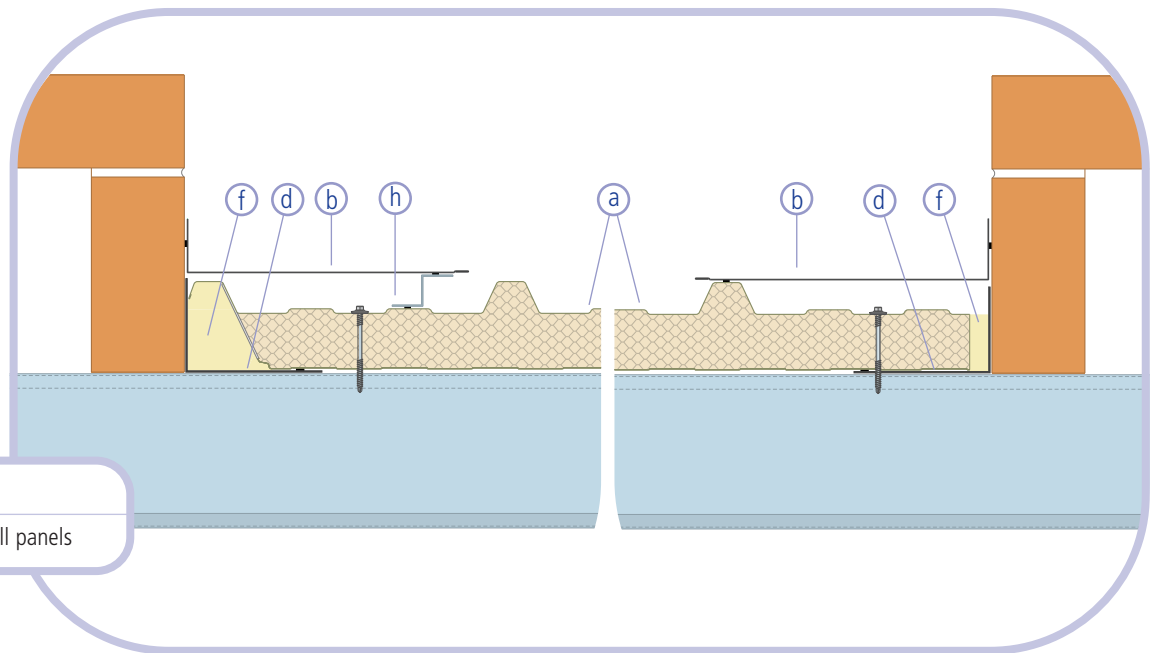


**Figure 31**  
Wall - external corner



**Figure 32**

Wall panel to recessed brickwork

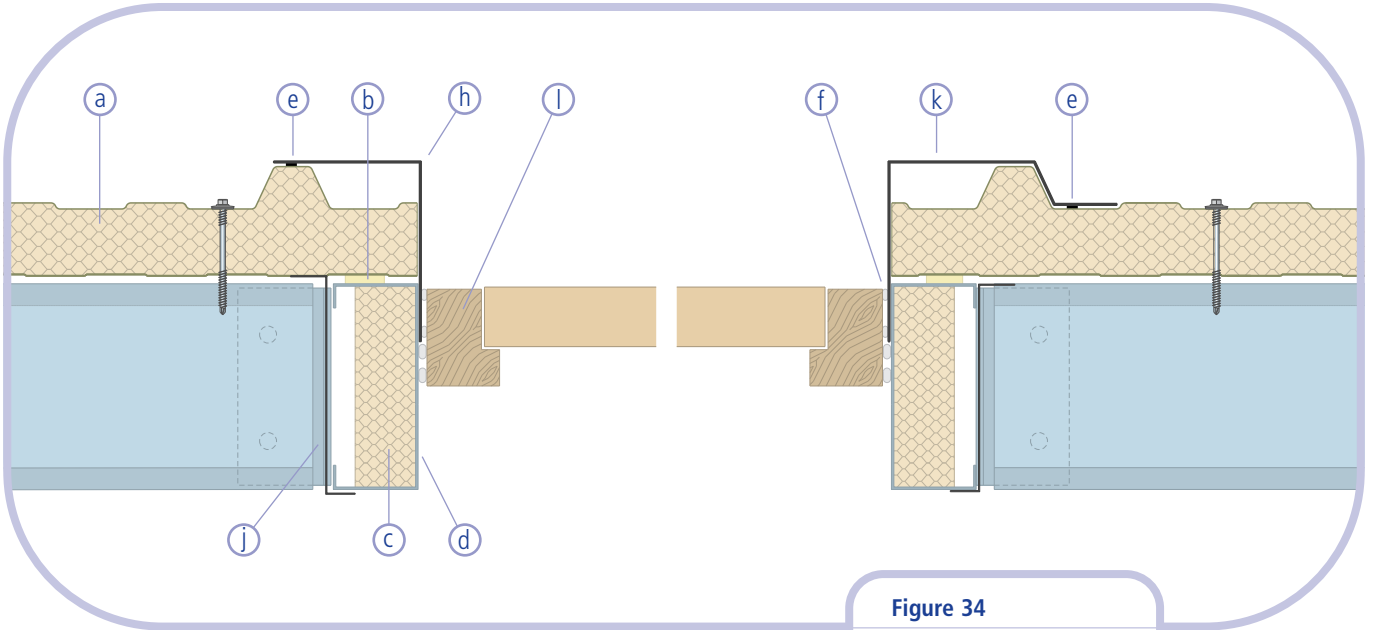


**Figure 33**

Recessed wall panels

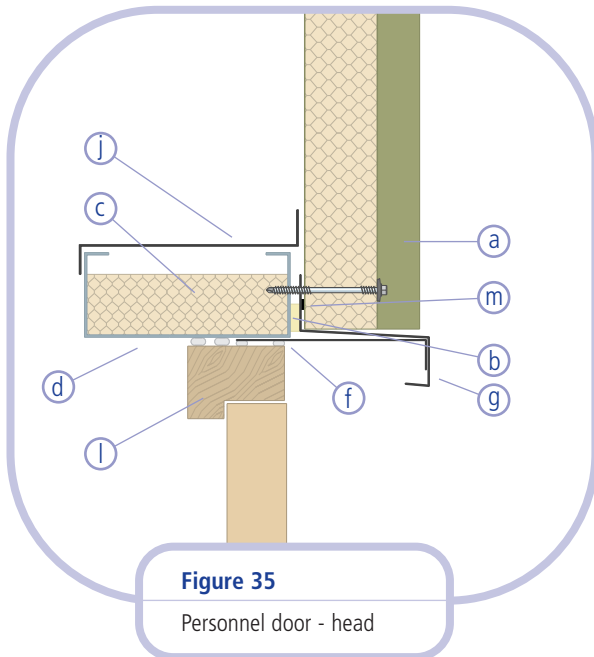
**Key to figures 32 & 33**

- a** AS35 insulated wall panel
- b** Internal corner flashing with expanding foam seal to brickwork and 6 x 5mm Butyl rubber seal to panel
- c** External corner flashing sealed to panel with 6 x 5mm Butyl rubber seal
- d** Galvanised support sealed with 8mm Butyl rubber air seal
- e** PIR insulation board sealed with site applied fire rated canister insulation
- f** Site applied fire rated canister insulation
- g** Internal corner flashing sealed to brickwork with expanding foam seal
- h** Support zed sealed to panel with 6 x 5mm Butyl rubber seal
- i** Side rail



**Figure 34**

Personnel door - jamb

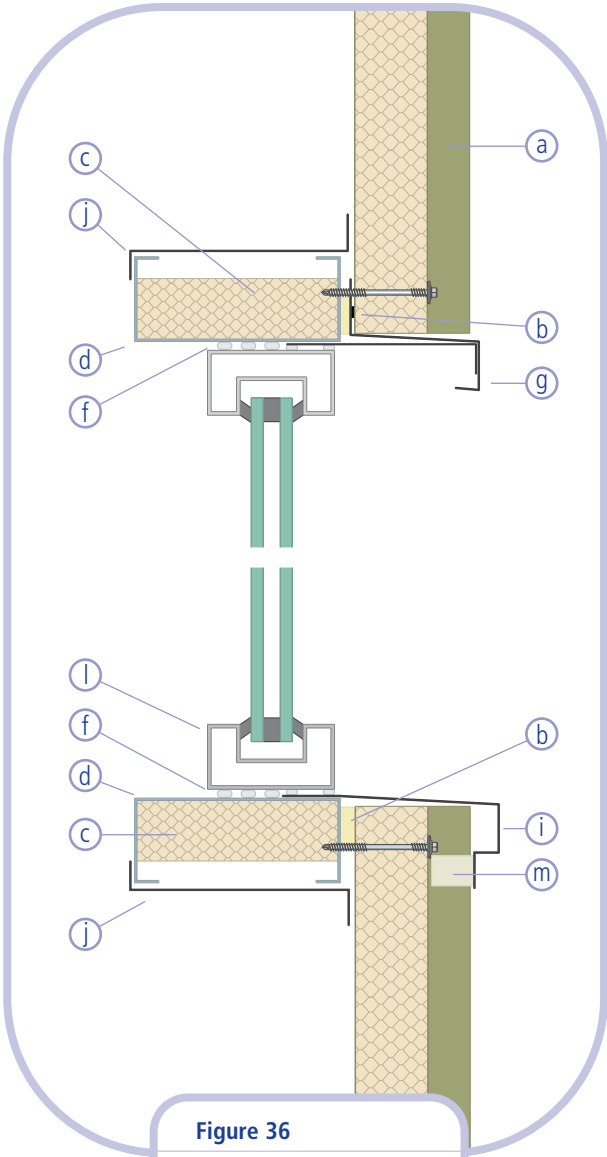


**Figure 35**

Personnel door - head

**Key to figures 34 & 35**

- a** AS35 insulated wall panel
- b** Site applied expanding air seal
- c** LPC approved insulation board to give required U-value, sealed with fire rated canister insulation
- d** Galvanised door jamb / head
- e** 6 x 5mm Butyl rubber seal
- f** Polyethylene backing rod with silicone sealer (by door installers)
- g** Door head flashing
- h** External door jamb flashing with no connection to internal
- i** Optional external soffit flashing with no connection to internal
- j** Optional internal flashing
- k** Optional external door jamb flashing with no connection to internal
- l** Door and frame (fixed by others)
- m** 8mm Butyl rubber seal



**Figure 36**  
Window - head and cill

- Key to figures 36 & 37**
- a** AS35 insulated wall panel
  - b** Site applied expanding air seal
  - c** LPC approved insulation board to give required U-value, sealed with fire rated canister insulation
  - d** Galvanised window jamb / head
  - e** 6 x 5mm Butyl rubber seal
  - f** Polyethylene backing rod with silicone sealer (by window installers)
  - g** Window head flashing
  - h** External window jamb flashing with no connection to internal
  - i** Cill flashing with 3° fall to allow for drainage, no connection to internal
  - j** Optional internal flashing
  - k** Optional external window jamb flashing with no connection to internal
  - l** Window unit fixed to galvanised window jamb (by others)
  - m** Profiled foam filler sealed top and bottom with gun grade mastic

**Figure 37**  
Window - jamb

